



# K+ SERIES: UFWWK-1 Single Hole Waterless Wok Table

Project: \_\_\_\_\_ Item: \_\_\_\_\_



Unit Shown : UFWWK-2

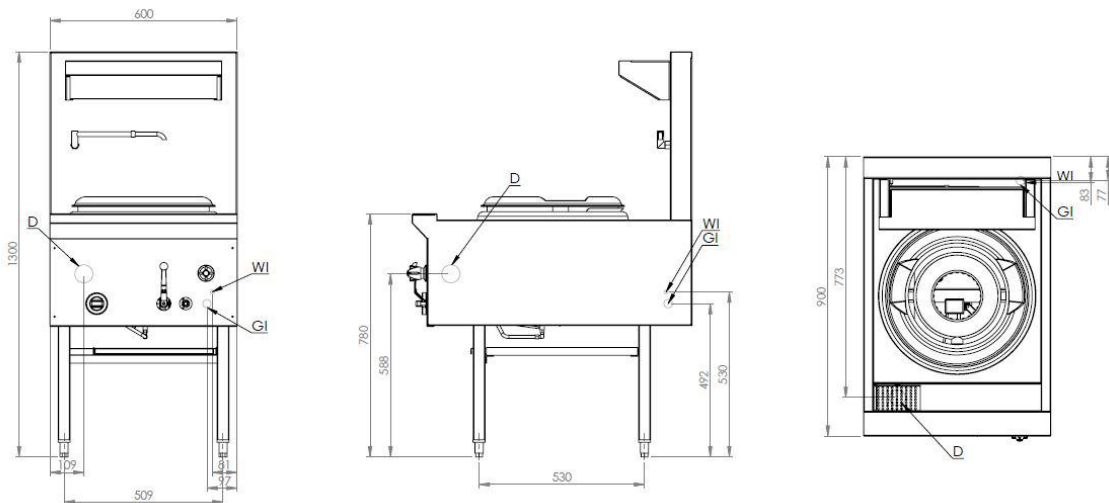
### Standard Features & Benefits:

- AISI 304 grade stainless steel
- Constructed from heavy duty mild steel frames
- Lever action gas control
- Flame failure device standard
- Manual operated laundry arm
- 15 month warranty

### Options:

- 18 jet Duck Burners (DB)
- 24 jet Chimney Burners (CB)
- Natural or LP Gas

### Specifications:



MODEL	LENGTH (mm)	DEPTH (mm)	HEIGHT (mm)	GAS CONSUMPTION (Mj/h)			
				NG - CB	NG - DB	LPG - CB	LPG - DB
UFWWK-1	600	900	1300	105	126	75	90

### Connections:

- Gas (GI) : 3/4" BSP
- Water (WI) : 1/2" Copper
- Waste (D) : 2" BSP
- Supply Pressure:
  - NG : 1.0 kPa
  - LPG : 2.6 kPa
- Regulator is included in the unit
- Must be installed by an authorised installer



B+S Commercial Kitchens  
57 Plateau Road Reservoir VIC 3073 Australia | +61 3 9469 4754  
info@bscommercialkitchens.com | www.bscommercialkitchens.com

